

Tool journal

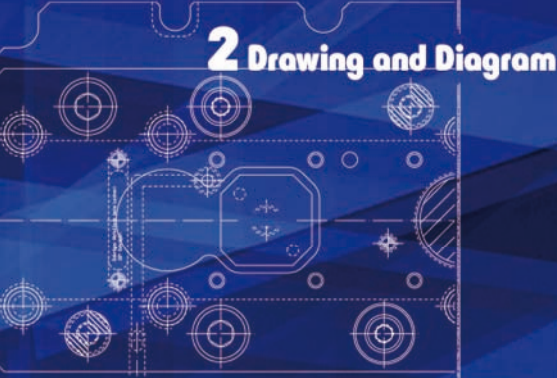
**1 Tables and Lists**

Bending tool BW 4732.A03

Completion	12.07.2005
Maximum stroke [/min]	360
Maximum press capacity [kg]	120
weight [kg]	450

Maintenance report

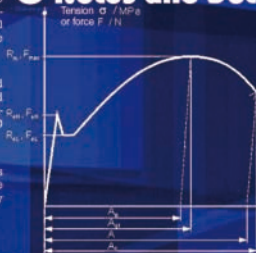
Reason	Date	Time [h]
First commissioning	24.07.05	14
Die reworked, all force paths measured		
Repair	09.10.05	6,5
Spring broken and replaced		
Maintenance 1	07.01.06	27
All stamps reground and tool cleaned		



Bending tool BW 4732.A03  
Initial measuring dated 24 July 2005

**3 Notes and Documents**

During first commissioning, the following force path was determined and recorded as curve. All parameters can be seen in the course of the curve



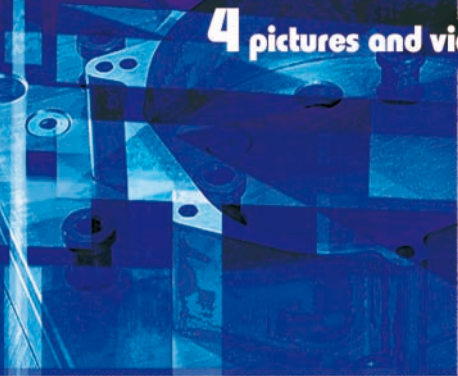
Executed at a reciprocating speed of 280 rpm; material was oiled and was fed at optimized feed. Maximum reciprocating speed (560 rpm) must not be exceeded.

The tool fulfils all requirements of QS and safety regulations. The tool conforms to our company standard.

Signed 25 July 2005

Test record: Günter Teich  
QS acceptance: Marc Paul  
Release for production: Nico Schürter

**4 pictures and videos**



# memodübel

and all tools now have their own data memory

Small and compact, it fits into every tool. Everything, simple notes as well as detailed documents, tool journals as well as maintenance record tables including pictures and video clips - the portable memodübel is able to administer and securely archive anything.

And the best thing is: anything stored on a computer - texts, tables, drawings, pictures, videos - anything can be easily read and written with memodübel without additional software.

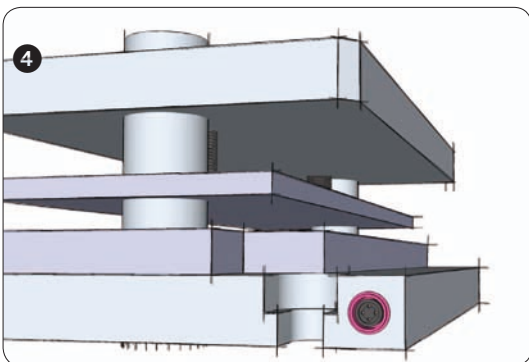
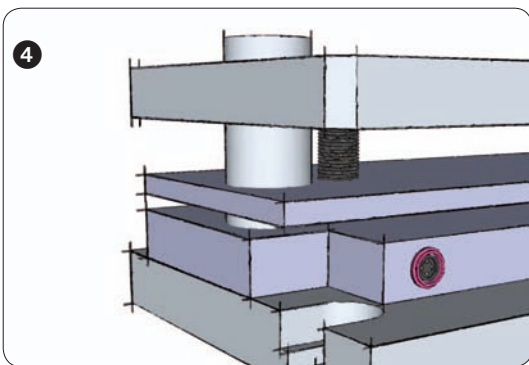
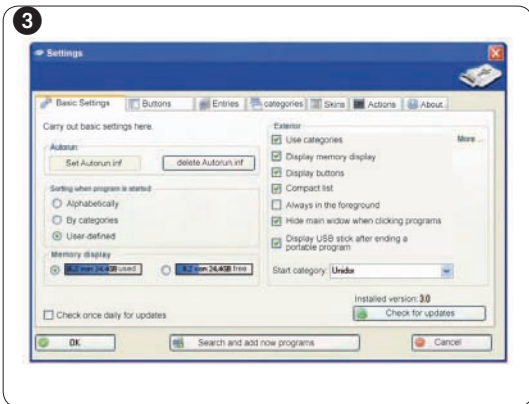


**memodübel:** The perfect data safe for tools and machines. Always there when you need it.

This means memory up to 4 gigabyte, available anywhere

# No need to use computer systems at all times

Information is archived where it is used



Every tool requires individual information: *Texts, pictures, drawings, plans, programs, documents, reports, lists, filing systems*. Ideally, these data are administered and archived by computer systems. This is useful if it works out practically and IT administration ensures that any information is available where it is needed at any time.

It is much more practical and less complicated to archive information where it is generated. The advantage of data available right on the spot where they are needed is obvious. Data handling is extremely efficient and very user-friendly.

The **memodübel®** is a perfect solution. It is portable and archives wirelessly up to 4 gigabyte of information exactly where you need the information, in the tool. No matter where the tool is, its information is always at hand.

Connect your Blackbeery, iPhone, Palm, PDA, Smartphone, notebook or laptop via USB with the **memodübel®** to access all data necessary for your daily work. Texts, diagrams, pictures or videos – the **memodübel®** provides the handling software for all documents (*reading, writing, manipulating*) as freeware.

Data verification from or to computer systems is possible any number of times without restriction.

## Everything necessary for the tool – available from **memodübel**

- 1 The **memodübel®** in safety class IP 65 in sturdy aluminium case, a robust data memory device for an infinite quantity of information where you need it or as final data source of the computer system
- 2 The **memodübel®** is compatible with all PC-related devices. Fast and secure communication is always ensured via cable.
- 3 The **memodübel** reports automatically by means of an informative menu as soon as the connection via USB cable is established.
- 4 Select a suitable position on the tool and easily install the **memodübel**

Technical Data		
<b>memodübel®</b>	Memory	4 gigabyte,
	Dimensions	45 mm x ø M16
	Material	aluminium anodized
	Safety class	IP 65
Adapter cable	USB Typ A	4pin, USB-compatible, Length 1.8 m