

Draw-Wire SL3005, 5.0 m, 130 mm



Ref.: K-SL30-05000-130-1

07.05.2021

010104005001029999

Advantages

- Backlash-free encoder coupling
- Flexible mount of attachments
- Heavy-Duty applications
- Life time ≤ 1 mio. cycles
- Very high measuring accuracy
- Very high working reliability

General Data

| | |
|--------------------------------|--------------------------------|
| Order number(s) | 40-720-003 |
| Housing design | □ 130 mm |
| Housing material | Aluminium anodized |
| Measuring length | 5.00 m |
| Gear ratio | 333.21 mm/Umdr. |
| | Note: Observe name plate! |
| Accuracy, gear ratio | ± 0.05 % |
| Diameter, measuring wire | 0.81 mm |
| Material, measuring wire | Stainless steel, 1.4401 |
| Wire outlet angle | $\leq \pm 3^\circ$ |
| Position of wire, acc. drawing | left |
| Linearity | ± 0.05 % |
| | related to the measuring value |
| Reproducibility | 0.01 % |
| | related to the measuring value |
| Adjusting speed | ≤ 8 m/s |
| Spring retraction force | 10...21 N |
| Load cycles, typically | $\leq 1\,000\,000$ |
| Options | |
| - Cold-grease | -30...+80 °C |
| - Attachment | Bellow (dirt wiper) |

Subject to change.

TR-Electronic GmbH
 Eglisshalde 6
 78647 Trossingen
 Tel. +49 (0) 7425 228-0
 info@tr-electronic.de
www.tr-electronic.de

Draw-Wire SL3005, 5.0 m, 130 mm

Ref.: K-SL30-05000-130-1

07.05.2021

010104005001029999

General Data continuation

| | |
|-----------------|------------------------------|
| - Attachment | Brushes (dust protection) |
| - Wire hook | fixed |
| - Wire hook | Ball joint |
| - Guide pulley | one-way, wire outlet linear |
| - Guide pulley | two-way, change in direction |
| Mass, typically | 2.5 kg |

Environmental conditions

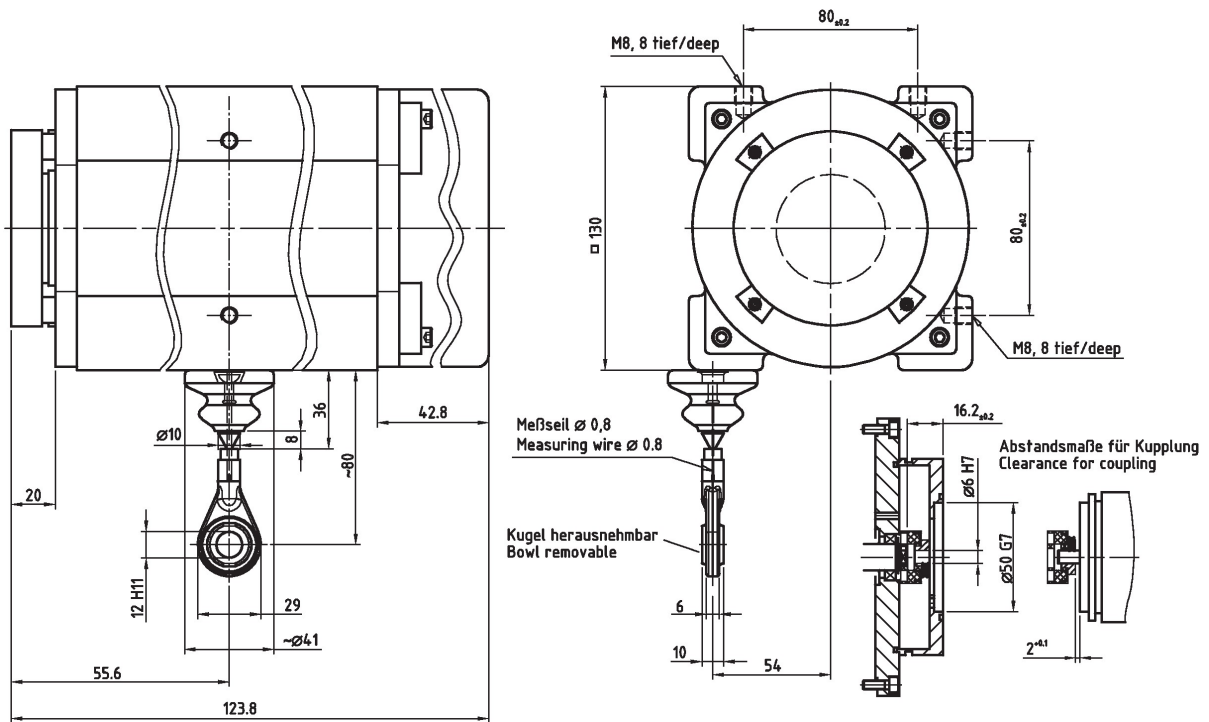
| | |
|--------------------------|--------------------------------|
| Vibration | |
| - Specific value | $\leq 100 \text{ m/s}^2$ |
| - Sine | 50...2000 Hz |
| Shock | |
| - Specific value | $\leq 250 \text{ m/s}^2$ |
| - Half sine | 11 ms |
| Working temperature | |
| - Standard | -20...+70 °C |
| Storage temperature, dry | -30...+85 °C |
| Protection class | |
| - Standard | IP64 |
| - Note | according mounting instruction |

Subject to change.

Draw-Wire SL3005, 5.0 m, 130 mm

Ref.: K-SL30-05000-130-1
 07.05.2021
 010104005001029999

Dimensional drawing



Subject to change.

TR-Electronic GmbH
 Eglshalde 6
 78647 Trossingen
 Tel. +49 (0) 7425 228-0
 info@tr-electronic.de
www.tr-electronic.de

Draw-Wire SL3005, 5.0 m, 130 mm

Ref.: K-SL30-05000-130-1

07.05.2021

010104005001029999

Suggested products

CMW582M*8192/4096 EIP SL3005

CMW582M-00020

CMW582M*8192/4096 PB SL3005

CMW582M-00041

Subject to change.