

Draw-Wire SL3010, 10.0 m, 130 mm



Ref.: K-SL30-10000-130-1

07.05.2021

0101040100

Advantages

- Backlash-free encoder coupling
- Flexible mount of attachments
- Heavy-Duty applications
- Life time ≤ 1 mio. cycles
- Very high measuring accuracy
- Very high working reliability

General Data

Order number(s)	40-720-016 (left) 40-720-020 (right)
Housing design	□ 130 mm
Housing material	Aluminium anodized
Measuring length	10.00 m
Gear ratio	333.21 mm/Umdr. Note: Observe name plate!
Accuracy, gear ratio	± 0.05 %
Diameter, measuring wire	0.81 mm
Material, measuring wire	Stainless steel, 1.4401
Wire outlet angle	$\leq \pm 3^\circ$
Position of wire, acc. drawing	left or right
Linearity	± 0.05 % related to the measuring value
Reproducibility	0.01 % related to the measuring value
Adjusting speed	≤ 8 m/s
Spring retraction force	10...21 N
Load cycles, typically	$\leq 1\,000\,000$
Options	
- Cold-grease	-30...+80 °C

Subject to change.

TR-Electronic GmbH
Eglshalde 6
78647 Trossingen
Tel. +49 (0) 7425 228-0
info@tr-electronic.de
www.tr-electronic.de

Draw-Wire SL3010, 10.0 m, 130 mm

Ref.: K-SL30-10000-130-1

07.05.2021

0101040100

General Data continuation

- Attachment	Bellow (dirt wiper)
- Attachment	Brushes (dust protection)
- Wire hook	fixed
- Wire hook	Ball joint
- Guide pulley	one-way, wire outlet linear
- Guide pulley	two-way, change in direction
Mass, typically	3.6 kg

Environmental conditions

Vibration	
- Specific value	$\leq 100 \text{ m/s}^2$
- Sine	50...2000 Hz
Shock	
- Specific value	$\leq 250 \text{ m/s}^2$
- Half sine	11 ms
Working temperature	
- Standard	-20...+70 °C
Storage temperature, dry	-30...+85 °C
Protection class	
- Standard	IP64
- Note	according mounting instruction

Subject to change.

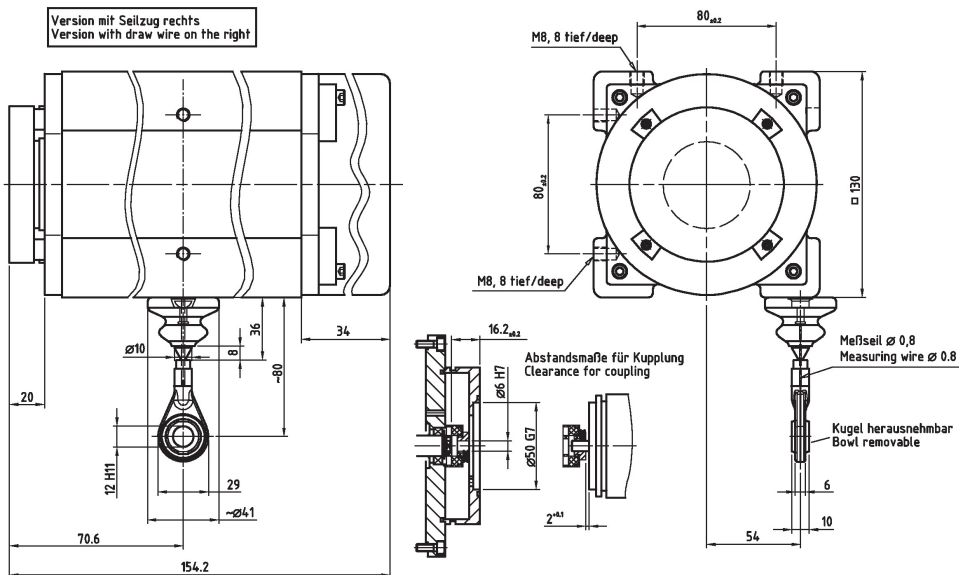
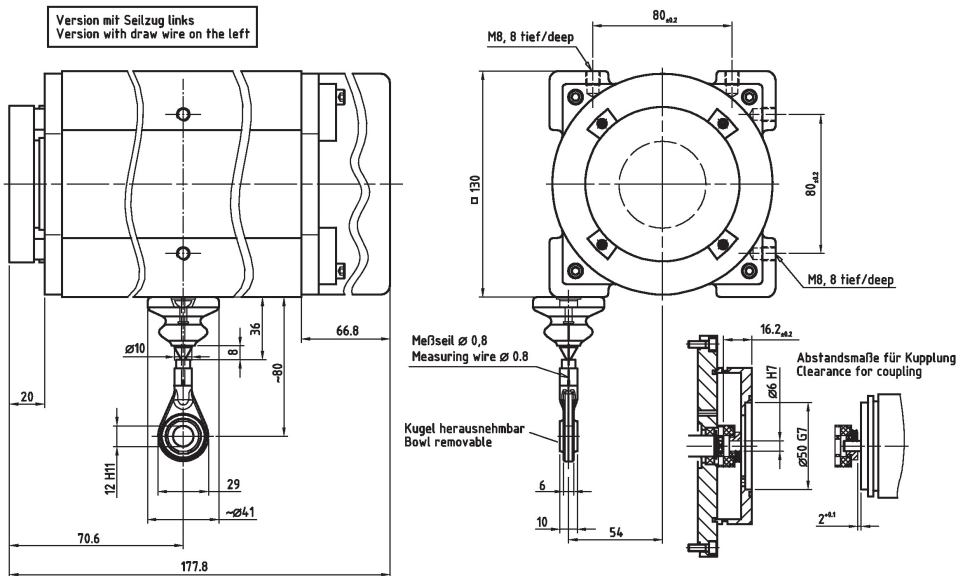
Draw-Wire SL3010, 10.0 m, 130 mm

Ref.: K-SL30-10000-130-1

07.05.2021

0101040100

Dimensional drawing



Subject to change.

Draw-Wire SL3010, 10.0 m, 130 mm

Ref.: K-SL30-10000-130-1

07.05.2021

0101040100

Suggested products

CEW582M*8192/4096 EPN SL3010	CEW582M-00019
------------------------------	---------------

CMW582M*8192/4096 ETC SL3010	CMW582M-00029
------------------------------	---------------

CMW582M*8192/4096 EPN SL3010	CMW582M-00042
------------------------------	---------------

Subject to change.